

# Load cell DLRP L002

## Features

- Passive load cell 0...10 kN
- Compact dimensions
- For compression
- Protection class IP 67
- Stainless steel



## Technical Data

Standard capacities	0...500 N 0...1000 N 0...2000 N 0...5000 N 0...10000 N
Sensitivity at FS	2 mV/V
Combined error	< 0,3% FS
Linearity	< 0,3% FS
Hysteresis	< 0,3% FS
Compensated temperature range	0...+70 °C
Operating temperature range	-20...+70 °C
Storage temperature range	-40...+85 °C
Temperature effect zero	< ±0,02% /K
Temperature effect span	< ±0,03% /K
Zero balance	< ±1% FS
Non-repeatability	< 0,1% FS
Creep error	< 0,15% FS (after 30 min. with FS)
Sensitivity tolerance	< ±1% FS
Bridge resistance	Full bridge 350 Ω
Isolation resistance	> 3 GΩ
Excitation max.	7 V
Signal polarity	unipolar (compression +2 mV/V)
– static load	200% FS
– dynamic load	100% FS
Breaking load	320% FS
Deflection FS	0,05 mm typical
Protection class	IP 67
Cable	5 m, shielded, PUR
Load cell material	1.4542

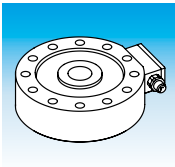
FS = Full scale output

Combined error contains linearity, hysteresis and non-repeatability

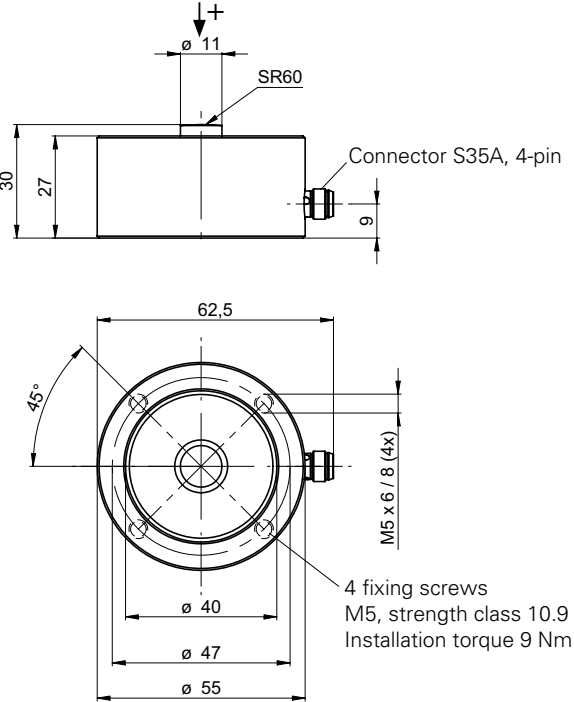
## Order Code

DLRP L002.     .B     CO/CL10

cable length	<b>CL10</b> 10 m (5 m standard)
	Load transmission
Load transmission	<b>CO</b> Compression (see drawing)
	Measuring range
Measuring range	<b>150</b> 0...500 N
	<b>210</b> 0...1000 N
	<b>220</b> 0...2000 N
	<b>250</b> 0...5000 N
	<b>310</b> 0...10000 N
Combined error	<b>B</b> 0,3%
	Connection
<b>S80</b> 4-pin connector series 712	
<b>W24</b> Cable, 4-wire, open cable end	



**Dimensions (mm)**



2

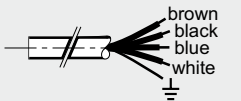
**Electrical Connection**

**S80**



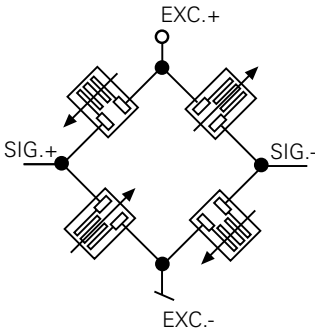
Pin	Signal
1	+Vs
2	-V <sub>OUT</sub>
3	+V <sub>OUT</sub>
4	GND
Housing	$\perp$

**W24**



Color	Signal
brown	+Vs
black	-V <sub>OUT</sub>
blue	GND
white	+V <sub>OUT</sub>
Housing	$\perp$

**Bridge Circuit**



**Wiring**

